

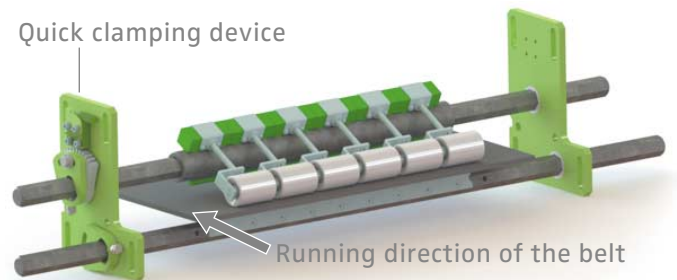


## Intelligent role play

**NEW**

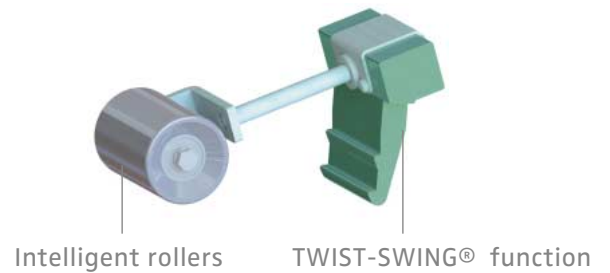
### STARCLEAN® single blade scraper with segmented counter roller Type 511 and 521

- Especially suitable for sticky materials
- Achieves best cleaning results over its complete lifespan
- High lifespan from large wear volume and individual contact pressure
- Unique snap-in mechanism enables quick roller change without the need for tools
- Excellent cleaning results thanks to individual adjustment (counter pressure) on the belt surface through our patented TWIST-SWING® function
- NEW: Now available for reverse operation
- Quick clamping device for easy tensioning



Quick clamping device

Running direction of the belt



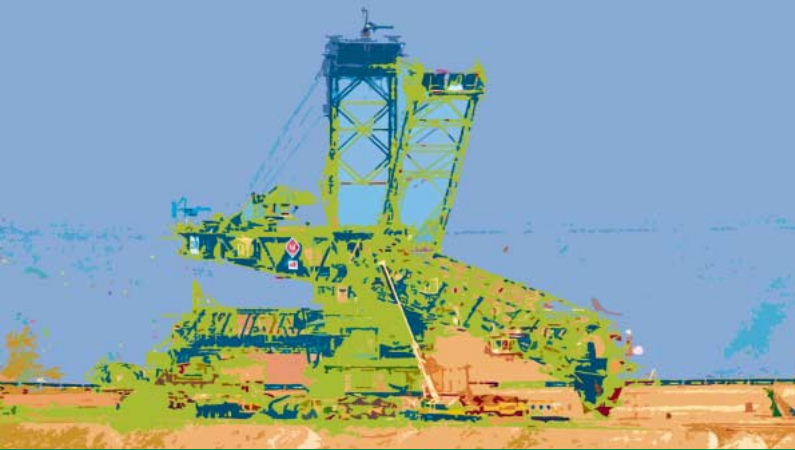
Intelligent rollers

TWIST-SWING® function



High stability

A further innovation is presented on the next page >>>



## Seamless operation

**NEW**

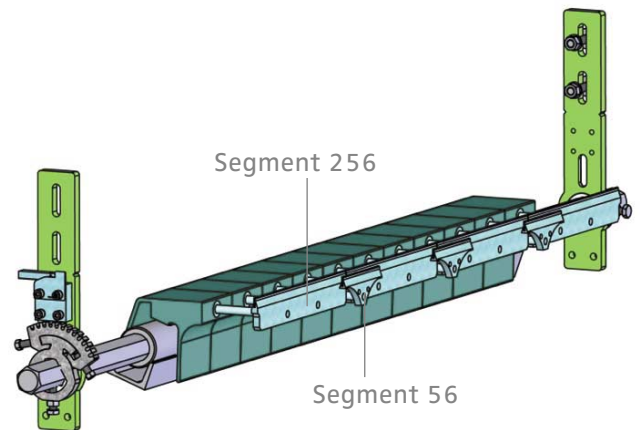
### Segment 256 for difficult materials

The Segment 256 was developed to prevent highly sticky materials from moving around the blade at high speeds and sticking to the belt.

Segments 256 are twice as wide as segment 56s and are arranged next to each other.

A segment 56 is applied at the joints to prevent material adhering to the belt at the gap of the blades 256.

As usual, segment placement is entirely compatible with segments 50, 55 and 56



Additional segments seal joints.



A further innovation is presented on the next page >>>



SCHULTE STRATHAUS

products with safety



STARCLEAN®

NEWSLETTER

## Longer is better

**NEW**

### Segments 85 and 285 in an extended form

We have developed an extended version of the tungsten carbide segments 85/285 in order to use them for drum diameters > 650mm.

A further advantage is the compatibility with the segments 281/282/283, which now can be replaced 1:1 by the extended segments 85/285.

The new article numbers:

95-Seg-85-130(P)

95-Seg-85n-150(P)

95-Seg-285-130(P)

95-Seg-285-130(P)

The "P" on the end failures an additional tungsten carbide protection behind the actual tungsten carbide scraper. This prevents wear to the stainless steel blade holder from extremely abrasive bulk material.

Extended version of the  
hard metal segments



A further innovation is  
presented on the next page >>>



## 25% stronger

**NEW**

### Segment 481-HD – more material for greater durability

The segment 481-HD closes the gap between the segments 481 and 581.

The segment 481-HD has ca. 25% more wear volume than segment 481 and thus enables longer lifespan whilst remaining 100% compatible with segment 481 and being 1:1 replaceable.

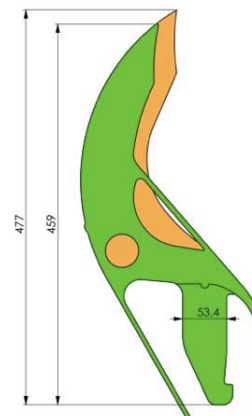
More material = higher durability



Segment 481



Segment 481-HD



Comparison segment 481 (green) with 481-HD (orange and green)

A further innovation is presented on the next page >>>



## Scrapes whilst others dissolve

**NEW**

### Sacrificial anodes for tungsten carbide blades

Aggressive materials can result in uneven and premature wear in hard metals through electrochemical corrosion.

To counter this, we have developed a sacrificial anode (patented pending), which ensures that the sacrificial anode and not the tungsten carbide are subject to wear by these influences. This allows scraping of materials which cause the dissolving of other tungsten carbide scrapers.

In the future, all secondary tungsten carbide blades will be fitted with drill holes, which enable retrofitting of the sacrificial anode. The sacrificial anode can be ordered separately.

The articles designation corresponds to the segments:

95-ETLB-56

95-ETLB-256

95-ETLB-85

